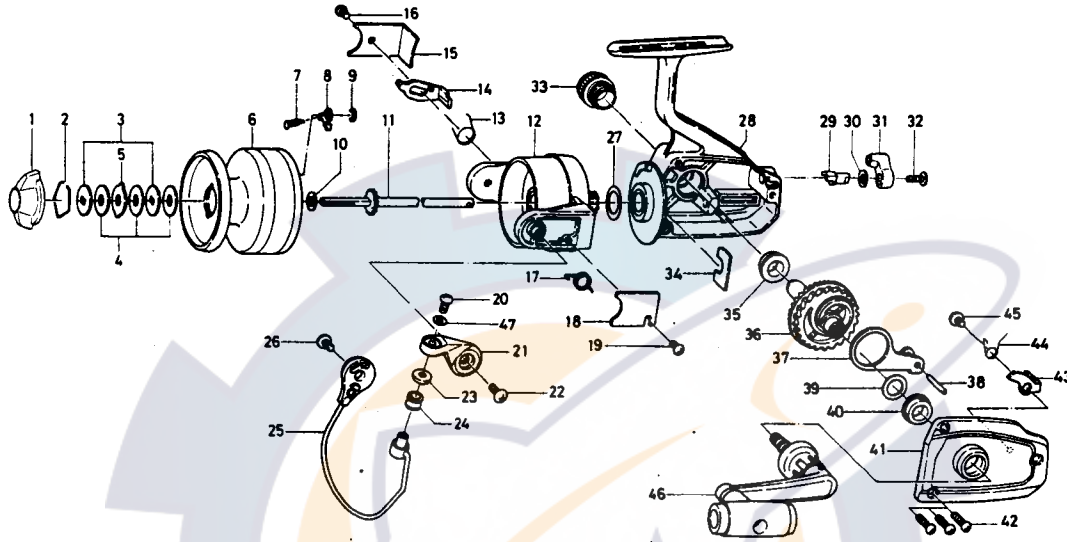


SPINNING REEL A-100X



| Key No. | Parts No. | Parts Name | Key No. | Parts No. | Parts Name |
|---------|------------|-----------------------------|---------|------------|---------------------------|
| 1 | 6-740-2304 | Drag knob | 25 | 6-B18-8301 | Bail |
| 2 | 6-170-7701 | Drag washer retainer | 26 | 6-353-8202 | Bail holder screw |
| 3 | 6-374-9802 | Drag D washer | 27 | 6-372-8600 | Rotor washer |
| 4 | 6-374-3602 | Disc washer | 28 | 6-B18-7101 | Body |
| 5 | 6-374-3802 | Drag A washer | 29 | 6-461-7701 | Anti-reverse cam |
| 6 | 6-B17-9402 | Spool | 30 | 6-150-1751 | Anti-reverse lever washer |
| 7 | 6-145-2101 | Spool click claw spring | 31 | 6-B18-7401 | Anti-reverse lever |
| 8 | 6-B07-5301 | Spool click claw | 32 | 6-351-8302 | Anti-reverse lever screw |
| 9 | 6-320-5901 | Spool click claw retainer | 33 | 6-B22-4501 | Handle screw cap |
| 10 | 6-372-3501 | Spool washer | 34 | 6-632-6601 | Pinion retainer |
| 11 | 6-B18-8501 | Main shaft | 35 | 6-B12-9001 | Bearing metal |
| 12 | 6-B18-7501 | Rotor | 36 | 6-B18-8701 | Drive gear |
| 13 | 6-B18-8001 | Bail kick lever spring | 37 | 6-B19-0501 | Oscillating slider |
| 14 | 6-B18-8101 | Bail kick lever | 38 | 6-121-1211 | Oscillating slider pin |
| 15 | 6-B18-8201 | Bail kick lever cover | 39 | 6-373-0100 | Drive gear washer |
| 16 | 6-352-0402 | Bail kick lever cover screw | 40 | 6-B12-9001 | Bearing metal |
| 17 | 6-B18-7701 | Bail spring | 41 | 6-B18-8901 | Body cover |
| 18 | 6-B18-7901 | Bail spring cover | 42 | 6-351-5904 | Body cover screw |
| 19 | 6-352-0402 | Bail spring cover screw | 43 | 6-B18-9201 | Anti-reverse claw |
| 20 | 6-353-8202 | Bail screw | 44 | 6-144-8211 | Anti-reverse claw spring |
| 21 | 6-B18-7801 | Arm lever | 45 | 6-351-7701 | Anti-reverse claw screw |
| 22 | 6-353-8202 | Arm lever screw | 46 | 6-B18-9301 | Handle |
| 23 | 6-501-1401 | Roller collar | 47 | 6-375-1001 | Bail washer |
| 24 | 6-250-3921 | Line roller | | | |

Sold as one unit
 Spool assembly
 6-B17-9704